

THERMAL HANDHELD HHIT2-IR



THE HHIT2-IR VIDEO EYEPIECE PROVIDES 180,000 EFFECTIVE PIXELS AND A FOCAL LENGTH FROM 1 FT. TO INFINITY.



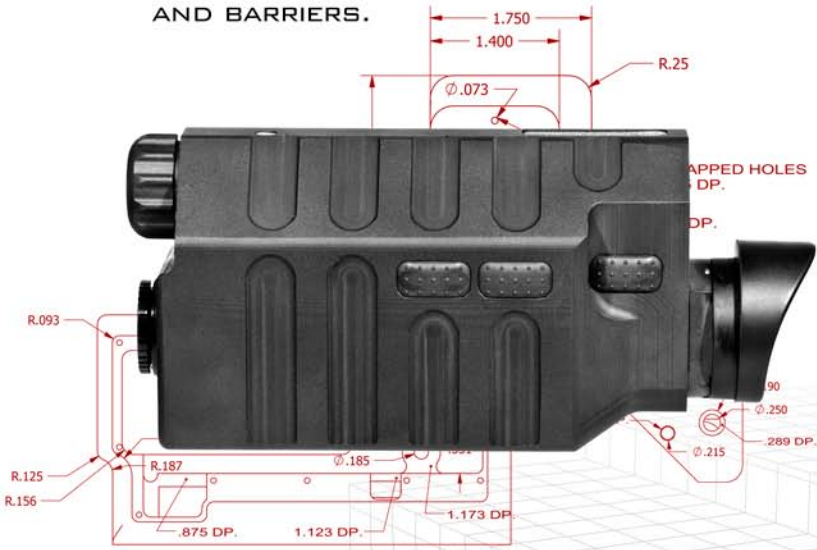
THE THERMAL IMAGING CAMERA PROVIDES REAL-TIME DIGITAL VIDEO AT 30HZ. IT ALSO FEATURES AUTOMATIC GAIN SWITCHING FOR OPTIMAL PERFORMANCE.



SPECIFICATIONS

dimensions	L: 7.07 in	W: 1.76 in	H: 3.14 in
weight	.84 lbs		
detector	morphous silicon microbolometer		
pixel size	51 x 51 microns		
time to image	2.4 seconds max		
scene temperature range	to 500°C		
lens focal length	5.8mm		
f-number	f/1.6		
runtime	up to 4 hrs		
batteries	operates on three 3V lithium		
frequency range	operates between 2.4 ~ 2.48GHz		
transmission distance	up to one quarter mile line-of-sight (increased distance can be added with repeaters)		
operating temperature	-10°C ~ +50°C (15°F ~ 122°F)		

- ▶ THE HHIT2-IR IS A LIGHT-WEIGHT, HIGHLY PORTABLE INSPECTION TOOL, PROVIDING THE USER WITH
- UNSURPASSED CAPABILITIES FOR THERMAL IMAGING
- INSPECTION OF ROOMS, CONTAINERS, PACKAGES, AND BARRIERS.



THE HHIT2-IR TRANSMITS RF VIDEO SIGNALS TO ANY TACTICAL ELECTRONICS MONITORING OPTIONS.

